

UpdateDumps

Pass Your Next Certification Exam Fast!

Everything you need to prepare, learn & pass your certification exam easily.

365 days free updates. First attempt guaranteed success.

Choose the version that fits your needs

	PDF Version	Desktop Test Engine	Online Test Engine
Latest and Up-to-Date exam dumps with real exam questions answers.	✓	✓	✓
Get 12-Months free updates without any extra charges.	✓	✓	✓
Experience same exam environment before appearing in the certification exam.	✗	✓	✓
100% exam passing guarantee in the first attempt.	✓	✓	✓
20% discount on more than one license and 30% discount on 5+ license purchases.	✗	✓	✓
100% secure purchase on SSL.	✓	✓	✓
Completely private purchase without sharing your personal info with anyone.	✓	✓	✓

<http://www.updatedumps.com>

The Study Materials Aimed to Help You Pass the Certification Exam

Exam : COG-132

Title : IBM Cognos 8 BI Metadata Model Developer

Vendors : IBM

Version : DEMO

1. Which of the following data structures typically contain normalized data?

- A. Cube
- B. Flat file
- C. Operational
- D. Star schema

Answer: C

2. The database table below would typically be found in what data structure?

Product line code	Product line	Product type code	Product type	Product number	Product
1	A	4	Packs	29	Canyon Mule Carryall
1	A	5	Lanterns	30	Firefly Lite
1	A	5	Lanterns	31	Firefly Mapreader
1	A	5	Lanterns	32	Firefly 2
1	A	5	Lanterns	34	Firefly Extreme
1	A	1	Cooking Gear	3	TrailChef Kitchen Kit
1	A	1	Cooking Gear	4	TrailChef Cup
1	A	1	Cooking Gear	5	TrailChef Cook Set
1	A	1	Cooking Gear	7	TrailChef Single Flame
1	A	2	Tents	14	Star Gazer 3
1	A	3	Sleeping Bags	22	Hibernator Pillow
1	A	4	Packs	28	Canyon Mule Cooler
1	A	5	Lanterns	33	Firefly 4
1	A	5	Lanterns	40	EverGlow Lamp
1	A	1	Cooking Gear	10	TrailChef Utensils
1	A	2	Tents	11	Star Lite
1	A	2	Tents	12	Star Dome
1	A	3	Sleeping Bags	19	Hibernator Extreme
1	A	3	Sleeping Bags	20	Hibernator Self - Inflating Mat
1	A	1	Cooking Gear	6	TrailChef Deluxe Cook Set

- A. Union
- B. Normalized
- C. Operational
- D. Star schema

Answer: D

3. What does a star schema database structure typically consist of?

- A. De-normalized hierarchy of dimension tables and fact tables.
- B. Normalized dimension tables and detailed fact tables.
- C. Normalized dimension tables and summarized fact tables.
- D. De-normalized dimension tables and fact tables.

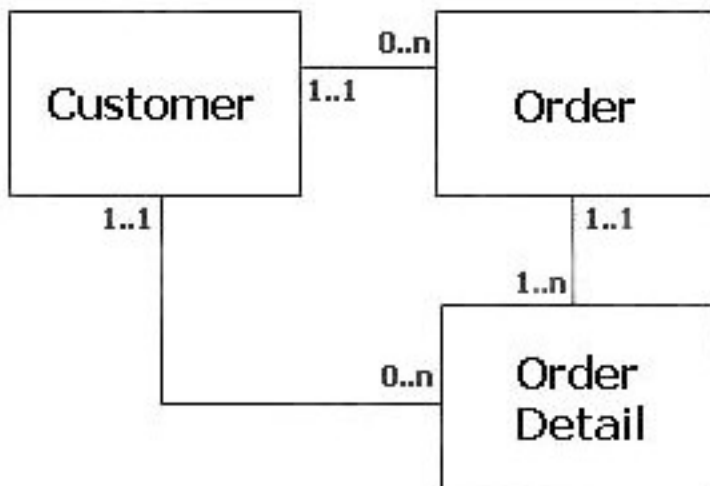
Answer: D

4. Which of the following is true of an OLAP data structure?

- A. Comprised of normalized dimension and fact tables.
- B. Organizes dimension tables into hierarchies and levels.
- C. Allows "real time" analysis against disparate data sources.
- D. Cardinality between tables is typically configured as inner joins.

Answer: B

5. In a transitive relationship scenario, what problems exist when reporting from the tables below?



- A. The Order table must be included in each query.
- B. The Order Detail table has conflicting cardinalities.
- C. Outer joins are generated when querying from Customer.
- D. There is more than one possible path between the tables.

Answer: D