

UpdateDumps



Choose the version that fits your needs	PDF Version	Desktop Test Engine	Online Test Engine
Latest and Up-to-Date exam dumps with real exam questions answers.	✓	✓	✓
Get 12-Months free updates without any extra charges.	✓	✓	✓
Experience same exam environment before appearing in the certification exam.	✗	✓	✓
100% exam passing guarantee in the first attempt.	✓	✓	✓
20% discount on more than one license and 30% discount on 5+ license purchases.	✗	✓	✓
100% secure purchase on SSL.	✓	✓	✓
Completely private purchase without sharing your personal info with anyone.	✓	✓	✓

<http://www.updatedumps.com>

The Study Materials Aimed to Help You Pass the Certification Exam

Exam : **642-883**

Title : Deploying Cisco Service
Provider Network Routing
(SPROUTE)

Vendor : Cisco

Version : DEMO

NO.1 Which two statements regarding OSPFv2 or OSPFv3 authentication are correct? (Choose two.)

- A. OSPFv2 supports MD5 authentication.
- B. OSPFv2 supports MD5 or SHA authentication.
- C. OSPFv2 relies on the native security stack that uses IPsec.
- D. OSPFv3 supports MD5 authentication.
- E. OSPFv3 supports MD5 or SHA authentication.
- F. OSPFv3 relies on the native security stack that uses IPsec.

Answer: A,F

NO.2 Which two mandatory tasks must an IS-IS NSF-capable router perform for RP switchover? (Choose two.)

- A. Relearn the available IS-IS neighbors.
- B. Reacquire the contents of the LSD.
- C. Reset peering with the available IS-IS neighbors.
- D. Keep the existing contents of the LSD.
- E. Rediscover DIS for each link segment.

Answer: A,B

NO.3 Refer to the exhibit.

```
route-policy OSPFintoISIS
  if tag eq xxx then
    drop
  else
    set tag yyy
  endif
end-policy
```

Based on the Cisco IOS XR route policy configuration, when redistributing OSPF routes into IS-IS, to which of the following does the "tag" value correspond?

- A. The tag value represents the OSPF metric.
- B. The tag value represents the IS-IS metric.
- C. The tag value identifies a route or set of routes.
- D. The tag value is used to match whether the IS-IS route is an external or internal IS-IS route.
- E. The tag value represents the administrative distance.

Answer: C

NO.4 Which two statements about a transit AS are correct? (Choose two.)

- A. A transit AS has eBGP connection(s) to only one external AS.
- B. Routes between ASs are always exchanged via eBGP.
- C. A transit AS uses an IGP like OSPF or ISIS to propagate the external networks within the transit AS.
- D. Core routers within a transit AS normally use default routing to reach the external networks.
- E. iBGP sessions can be established between non directly connected routers.

Answer: B,E

NO.5 Which statement best describes the function of a BGP af-group?

- A. Use templates in different neighbors so it makes the BGP implementation easier.
- B. Group different address family neighbors inside BGP.
- C. Create a group of neighbors that can inherit address family configuration inside BGP.
- D. Substitute the class maps inside BGP on Cisco IOS XR devices.

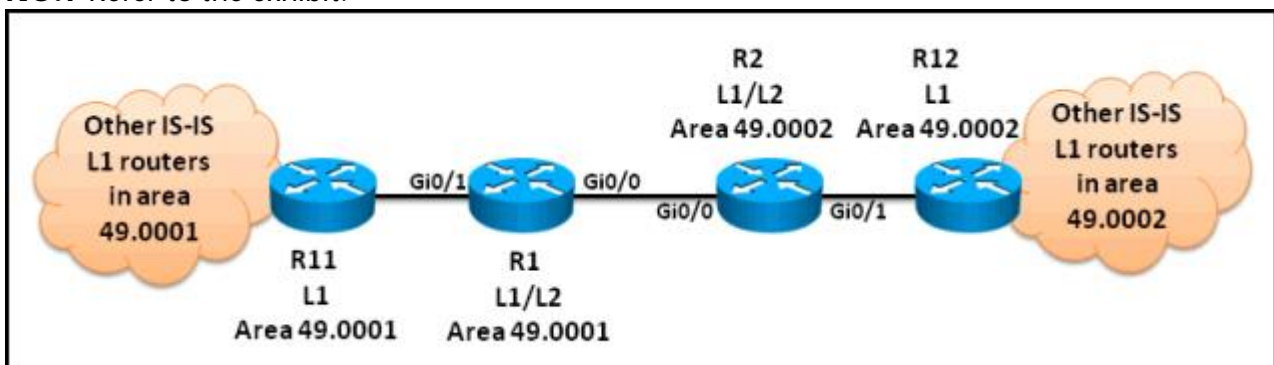
Answer: B

NO.6 Which three statements are true regarding the OSPF router ID? (Choose three.)

- A. The OSPF routing process chooses a router ID for itself when it starts up.
- B. The router-id command is the preferred procedure to set the router ID.
- C. If a loopback interface is configured, its address will always be preferred as the router ID over any other methods.
- D. After the router ID is set, it does not change, even if the interface that the router is using for the router ID goes down. The router ID changes only if the router reloads or if the OSPF routing process restarts.
- E. In OSPF version 3, the OSPF router ID uses a 128-bit number.

Answer: A,B,D

NO.7 Refer to the exhibit.

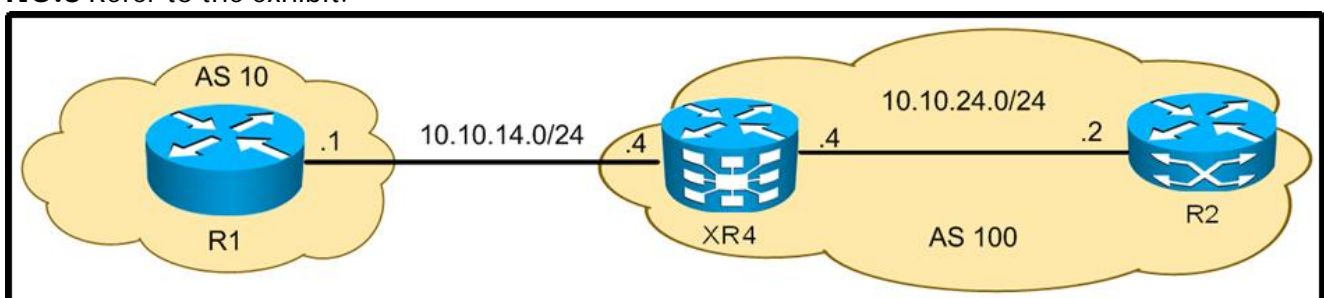


Which two configuration options can be used to optimize the IS-IS network scenario? (Choose two.)

- A. Change the R1 and R2 IS type to Level 2.
- B. Change the R1 and R2 IS type to Level 1.
- C. Change the gi0/0 interface IS-IS circuit type on R1 and R2 to Level 2 only.
- D. Change the gi0/1 interface IS-IS circuit type on R1 and R2 to Level 1.
- E. Change the IS type for all the routers to Level-1-2.
- F. Change the IS-IS network type for all the routers to point-to-point.

Answer: C,D

NO.8 Refer to the exhibit.



Which configuration is correct for XR4 for an e-BGP session with R1?

- A.** router bgp 100
neighbor 10.10.14.1
remote-as 100
- B.** router bgp 100
neighbor 10.10.14.1
remote-as 10
address-family ipv4 unicast
- C.** router bgp 100
address-family ipv4 unicast
neighbor 10.10.14.1
remote-as 100
address-family ipv4 unicast
- D.** router bgp 100
address-family ipv4 unicast
neighbor 10.10.14.1
remote-as 100

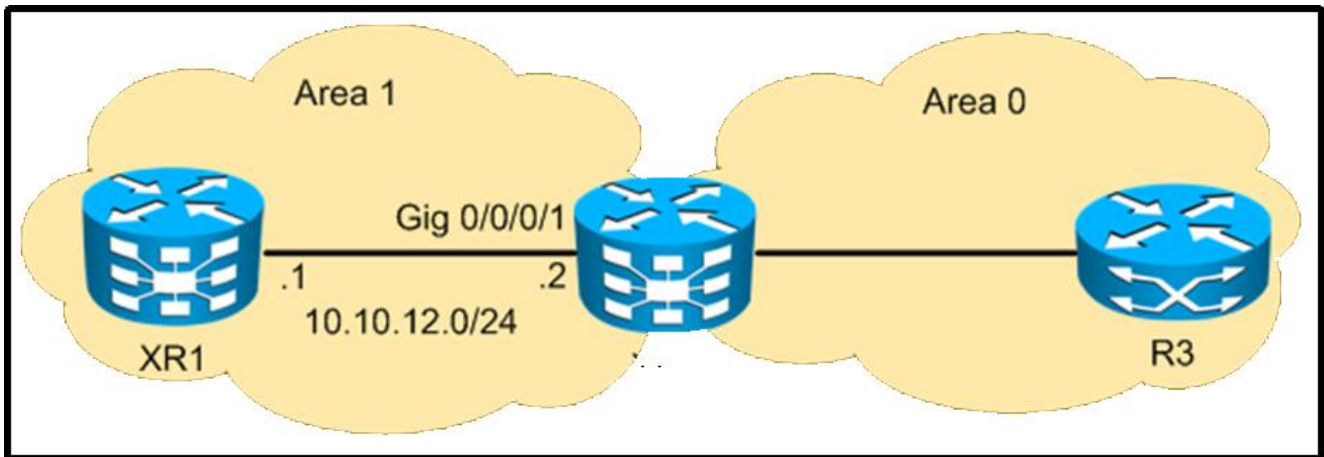
Answer: C

NO.9 Which configuration implements the most secured OSPF authentication mode on Cisco IOS XE?

- A.** interface Gi0/0/0/0
ip ospf authentication message-digest
ip ospf message-digest-key 1 md5 cisco
- B.** router ospf 1
area 1
authentication message-digest
interface GigabitEthernet0/0/0/0
message-digest-key 1 md5 cisco
- C.** router ospf 1
area 1
interface GigabitEthernet0/0/0/0
authentication message-digest
message-digest-key 1 md5 cisco
- D.** router ospf 1
area 1 authentication
interface GigabitEthernet0/0/0/0
ip ospf authentication-key cisco
- E.** interface Gi0/0/0/0
ip ospf authentication
ip ospf authentication-key cisco

Answer: A

NO.10 Refer to the exhibit.



Area 1 routers must have only a default route in their OSPF routing tables. Which configuration must be completed on XR2 to meet this requirement?

- A.** router ospf 1
address-family ipv4
interface GigabitEthernet0/0/0/1
area 1 stub no-summary
- B.** router ospf 1
area 1 stub no-summary
- C.** router ospf 1
area 1 stub
interface GigabitEthernet0/0/0/1
- D.** router ospf 1
area 1 stub no-summary
interface GigabitEthernet0/0/0/1

Answer: D

NO.11 A customer is concerned about rerouting attacks on the IS-IS domain spanning the company. Which keychain management configuration is valid to authenticate IS-IS link-state information and provide a first response to this type of attack for Cisco IOS XR instances?

- A.** configurekey chain isis-keyskey 1key-string myP@ssw0rdcryptographic-algorithm MD5send-lifetime 18:05:00 may 31 2014 infiniteaccept-lifetime 18:05:00 may 31 2014 infiniterouter isis 1isp-password keychain isis-keys
- B.** key chain cisco-xrkey 10key-string myP@ssw0rd!interface GigabitEthernet 3/1/1ip addressip_address subnet_maskip router isisis authentication mode md5 level-1isis authentication key-chain cisco-xr level-1
- C.** configurekey chain isis-keys!key 8cryptographic- algorithm MD5send-lifetime 18:05:00 may 31 2014 infiniteaccept-lifetime 18:05:00 may 31 2014 infiniterouter isis 1isp-password keychainisis-keys
- D.** configurekey chain isis-keyskey-string myP@ssw0rdsend-lifetime 18:05:00 may 31 2014 infiniteaccept-lifetime 18:05:00 may 31 2014 infiniterouter isis 1isp-password keychain isis-keys

Answer: A

NO.12 A static default route has been inserted into the configuration of a Cisco IOS XE router. Which option advertises the route into the OSPF domain?

- A.** router ospf 1 network 0.0.0.0 area 0 redistribute static subnets

- B. router ospf 1 redistribute static
- C. router ospf 1 redistribute static subnets
- D. router ospf 1 default-information originate

Answer: D

NO.13 An engineer is working for a service provider who is strategically important to the Internet data traffic.

The CTO is promoting a core infrastructure upgrade to connect via optical links network service providers.

Which three concerns must be addressed while planning the new BGP features and functionalities? (Choose three.)

- A. BGP suboptimal routing
- B. IPv4 exhaustion
- C. routers and switches hardware capabilities
- D. route dampening of current customers
- E. multihoming policies of new customers
- F. IGP reconvergence time on the inter-AS links
- G. BGP blackholing when acting as transit autonomous system

Answer: A,C,G

NO.14 Refer to the exhibit.

Network	Next Hop	Path
*> 1.1.1.1/32	10.10.12.1	100 i
*> 2.2.2.2/32	0.0.0.0	i
*> 3.3.3.3/32	10.10.12.1	100 300 i
*> 4.4.4.4/32	10.10.12.1	100 300 400 i

R2 wants to filter out only routes originated from AS 300. Which AS path access list should be used?

- A. ip as-path access-list 1 deny_300\$
- B. ip as-path access-list 1 deny^300_
- C. ip as-path access-list 1 deny ^300\$
- D. ip as-path access-list 1 deny_300_

Answer: C

NO.15 Routes that are received from an IBGP peer will be propagated to which other routers by default?

- A. to the EBGP peers only
- B. to the IBGP peers only
- C. to both EBGP and IBGP peers
- D. to no other peers

Answer: A